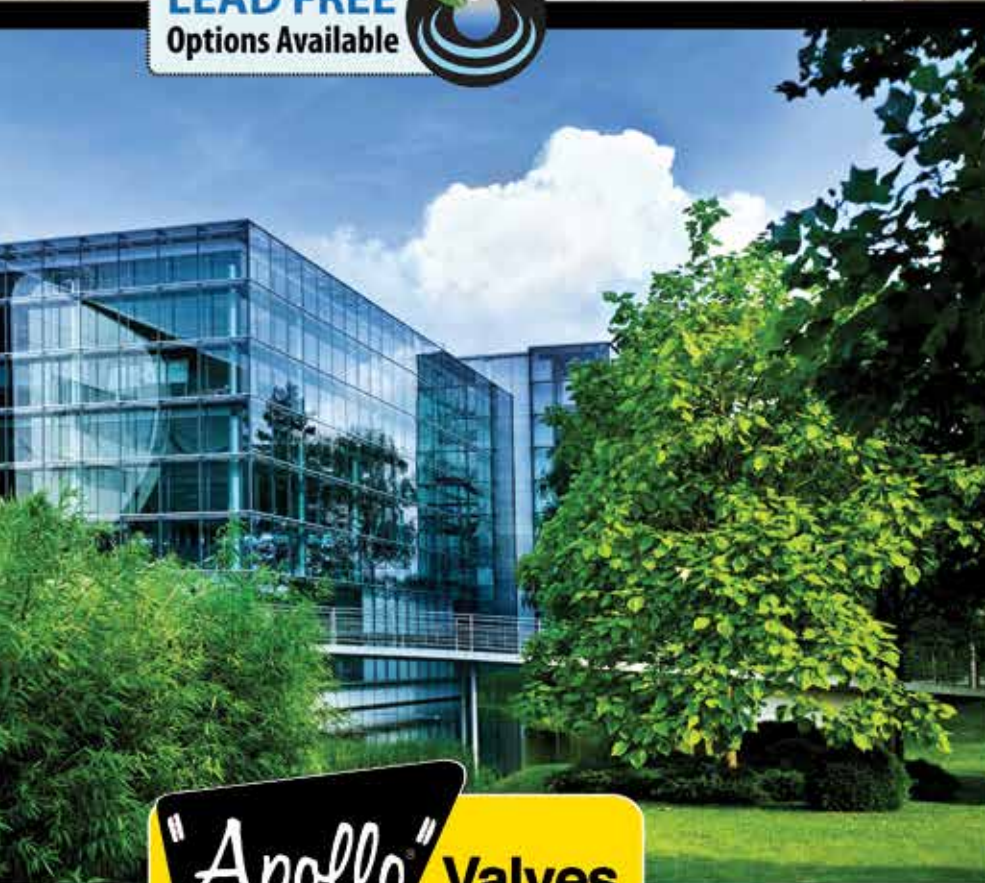


# WATER PRESSURE REDUCING VALVES



**LEAD FREE**  
Options Available



**"Apollo" Valves**

manufactured in the USA  
by CONBRACO Industries

**American Made Quality since 1928**



# "Apollo" Valves

manufactured in the USA  
by CONBRACO Industries

## A history of Quality, Service and Innovation

Now in its ninth decade, Conbraco Industries, Inc. is a leading manufacturer of flow control products for U.S. and international markets. The company's headquarters is based in Matthews, North Carolina with manufacturing plants and foundries located in Pageland and Conway, South Carolina.

Conbraco has a history of new product development and innovation that dates back to the company's inception in 1928. Today, the Conbraco line of products is marketed under the "Apollo Valves" brand and includes: ball valves, butterfly valves, backflow prevention devices, water pressure reducing valves, mixing valves, safety relief valves, water gauges, strainers, actuation and ApolloXpress products.

Conbraco's vertically integrated manufacturing ensures a consistency of production, testing, quality and availability. You can be assured that Conbraco flow control products will deliver long term reliability. All manufacturing facilities are ISO 9001:2008 certified.

The Conbraco line continues to expand with new products, designs and advanced materials to better serve the needs of our customers. Markets served include: chemical processing, pulp and paper, petroleum, residential and commercial plumbing and heating, OEM, irrigation, water works, and fire protection.



**PAGELAND, SC**  
Bronze Foundry and Manufacturing Plant



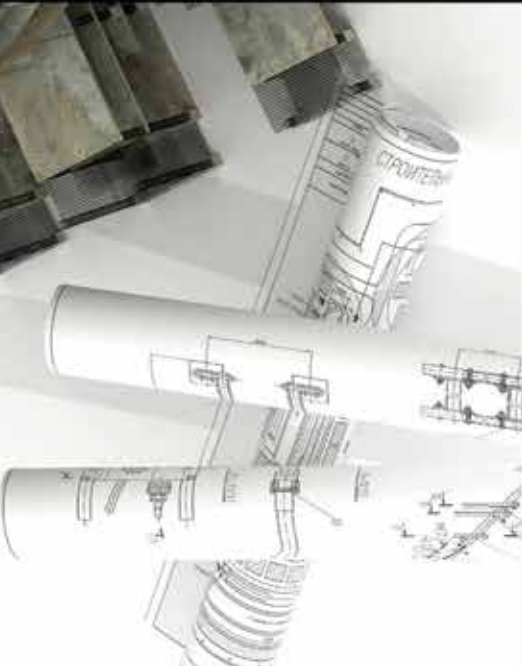
**PAGELAND, SC**  
Final Assembly and Distribution Center



**CONWAY, SC**  
Steel Foundry and Manufacturing Plant



**MATTHEWS, NC**  
Corporate Headquarters



Throughout this catalog, products that have a Lead Free\* option will be identified with this logo.

\* LEAD FREE: The wetted surfaces of this product shall contain no more than 0.25% lead by weighted average. Complies with CA AB1953, VT Act 193, MD HB372, LA HB471 and Federal Public Law 111-380.



\*\*Any imported products are clearly identified as "Apollo International™".

# WATER PRESSURE REDUCING VALVES

## TABLE OF CONTENTS

How Pressure Reducing Valves Work .....	4	Thermal Expansion and By-Pass .....	17
PR Series (36 Series) .....	5-7	Low Pressure Models .....	18
PRC Series (36C Series) .....	8-10	Flow/Performance Curves .....	18
PRE Series (36E Series) .....	11-13	Gauges .....	18
PRH Series (36H Series) .....	14-16	Repair Kits .....	18
Installation Configurations .....	17	Warranty Info .....	19

### AUTOMATIC PRESSURE REDUCTION

Pressure reducing valves are designed to automatically reduce a high inlet supply pressure to a lower outlet pressure. In most plumbing code jurisdictions, pressure reducing valves are mandated whenever the supply water pressure exceeds 80 PSI.

Excessive pressure can waste as much as 40,000 gallons of water in an average home every year. Ideally, water systems can meet required pressure and capacity needs with a water velocity of 10 feet per second or less.

### THE VALUE OF ECONOMIZING

Cutting costs by specifying undersized piping often results in water hammer and other undesirable pipe noises. When correctly designed into an entire supply system, Apollo pressure reducing valves will efficiently control overpressure conditions.

Once installed, Apollo pressure reducing valves are engineered to provide years of reliable service. Installing a shut-off valve upstream from the pressure reducing valve makes maintenance and repair easier. In commercial applications, a second shut-off valve and gauge or tapping downstream from the regulator is also suggested.

### SOLVING OVERPRESSURE PROBLEMS

Apollo water pressure reducing valves provide reliable protection from excessive pressure for a wide range of residential, commercial and industrial applications.

By eliminating wasteful overpressure, water pressure reducing valves conserve water, reduce related energy costs — including the costs of waste water treatment, and extend the life of piping and fixtures while minimizing water hammer shock.

### LEADERSHIP IN ENERGY AND ENVIRONMENTAL DESIGN (LEED)

The Leadership in Energy and Environmental Design (LEED) Green Building Rating System™ is the nationally accepted benchmark for the design, construction, and operation of high performance buildings. The Apollo pressure reducing valves can be accepted and used to acquire LEED certification. Common practice and analysis shows that 50 psi or lower is sufficient pressure for most homes and commercial buildings. Apollo water pressure reducing valves can help limit the incoming pressure to 50 psi or less to reduce the water being used and to reduce the amount of wastewater returned to the environment.



For additional information, submittal sheets and manuals, visit [www.apollovalves.com](http://www.apollovalves.com)

Customer Service (704) 841-6000

# WATER PRESSURE REDUCING VALVES

## How Pressure Reducing Valves Work

### OPERATION



Apollo pressure reducing valves are shipped in the OPEN position. Their internal seat is held open by a compression spring.

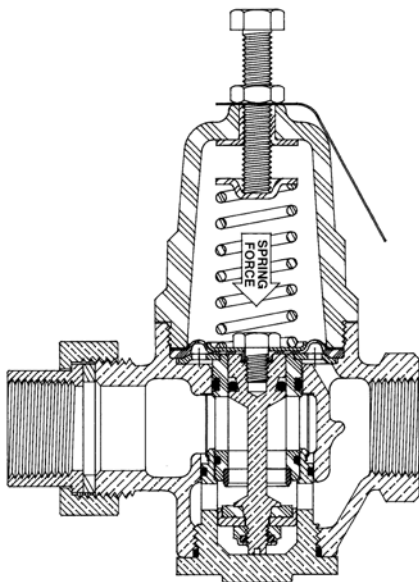
Compression is applied to the spring by an adjusting screw working on a spring button. The amount of force on the diaphragm by the valve spring determines the reduced pressure downstream of the regulating valve. The standard setting is 50 psig.

During static (no-flow) conditions, the valve is closed because the diaphragm force is greater than the valve spring force. Outlet pressure drops once flow downstream begins and force from the spring begins opening the valve.

Apollo's integral design enables the valve to react smoothly and quickly to changing flow demands, while protecting against inlet pressure change. As water enters the valve it flows past the open seat, under the diaphragm and through to the outlet pipe, stopping at the closed fixtures until diaphragm force overcomes spring force to close the valve.

Under flow conditions (when the faucet is opened), the captive 50 psig water begins to flow out. Once flow starts, pressure under the diaphragm starts to fall off to below 50 PSI, causing the compression spring to open the seat and allowing more water to enter. Our regulating valve opens, passing only the amount of water flowing out through the faucet at a pressure below the "set" pressure.

### REDUCED PRESSURE FALL-OFF



Fall-off is the reduced pressure change that results when a valve opens: the difference between the static (closed) pressure and residual (flowing) pressure downstream of the regulating valve. Inherent in the direct-acting design, fall-off is an important factor when choosing a valve size and type.

Most often, the regulating valve supplies many fixtures (i.e. toilets, tubs, showers, sinks, etc.) or many industrial applications. Intermittent water demands will vary the flow requirements to the regulating valve widely, from a small trickle to a large volume under peak load. So outlet or downstream pressure from the regulator also varies. Which reducing valve you need depends on the flow rate — or capacity — required.

Pressure reducing valve sizing and selection are important to a successful application. Remember to find out what the MINIMUM inlet pressure is AT THE VALVE.

When the reduced pressure on the outlet of a regulator drops too low during flow conditions, the valve or line size is too small for the job.

*See pages 17-18 for sizing, selection, and installation guidelines.*

# WATER PRESSURE REDUCING VALVES

For General Purpose Residential & Light to Medium Commercial Applications

## PR SERIES (36)



Apollo PR Series pressure reducing valves provide automatic control of excessive water pressure and problem supply fluctuations. These models are designed to reduce pressures of up to 300 PSI to a more manageable range.

Factory set at 50 PSI, they adjust with a turn of a screw. They feature a built-in by-pass and strainer, and comply with ASSE 1003 and CSA B356 standards. They are listed with IAPMO and the City of Los Angeles.

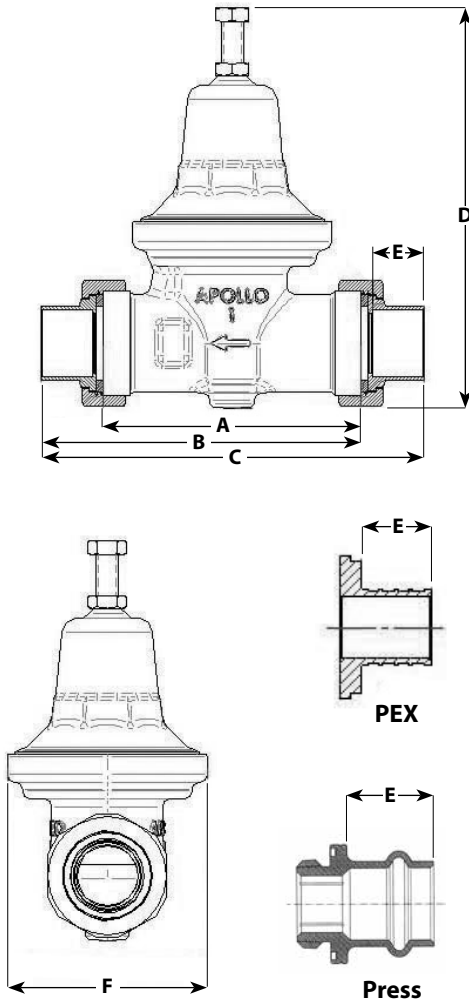
PR Series valves are built for long, reliable service with an all-bronze body and high-capacity stainless steel strainer. Available with or without optional pressure gauge tapping.

### FEATURES

- All bronze body and cover
- Suitable for supply pressures to 300 psi
- Every valve is 100% factory set and tested
- Standard factory setting is 50 psi
- High & low pressure model options
- Diaphragm suitable for 33-180°F
- Solder, Thread, PEX, CPVC, Press and Push connection options
- Integral thermal expansion bypass
- Integral stainless steel strainer
- Single and double union options
- In-line repairable
- **USA materials and manufacture**
- **Lead-Free** option (36LF)

### APPROVALS

- ASSE 1003
- CSA B356



Size	Connection	A (in.)	B (in.)	C (in.)	D (in.)	E (in.)	F (in.)	WT. (Union) (lbs)
1/2	Thread	4.00	4.88	5.63	5.88	0.63	2.75	3.5
	Solder	4.00	4.88	5.63	5.88	0.50	2.75	3.4
	PEX	4.00	5.00	5.75	5.88	0.63	2.75	3.3
	CPVC	4.00	4.63	5.25	5.88	0.50	2.75	3.1
	Press	N/A	N/A	5.78	5.88	0.75	2.75	3.1
3/4	Thread	3.88	4.88	5.63	5.88	0.63	2.75	3.4
	Solder	3.88	4.88	5.63	5.88	0.75	2.75	3.3
	PEX	3.88	5.00	5.75	5.88	0.63	2.75	3.2
	CPVC	3.88	4.88	5.63	5.88	0.63	2.75	3.0
	Press	N/A	N/A	6.09	5.88	0.88	2.75	3.1
1	Thread	4.38	5.50	6.38	6.88	0.63	3.38	4.5
	Solder	4.38	5.50	6.38	6.88	0.63	3.38	4.4
	PEX	4.38	5.50	6.63	6.88	0.88	3.38	4.3
	CPVC	4.38	5.75	7.00	6.88	0.75	3.38	4.0
	Press	N/A	N/A	6.65	6.88	0.88	3.38	4.1
1-1/4	Thread	5.38	6.50	7.50	8.88	0.88	4.00	10.2
	Solder	5.38	6.63	7.75	8.88	1.00	4.00	10.1
	Press	N/A	N/A	7.87	8.88	1.00	4.00	9.0
1-1/2	Thread	5.38	6.63	7.88	8.88	0.75	4.00	10.4
	Solder	5.38	6.75	8.00	8.88	1.13	4.00	10.3
	Press	N/A	N/A	8.61	8.88	1.44	4.00	9.0
2	Thread	7.13	8.50	9.88	8.88	1.00	5.75	22.5
	Solder	7.18	8.88	10.50	11.50	1.38	5.75	22.4
	Press	N/A	N/A	10.78	11.50	1.57	5.75	21.0



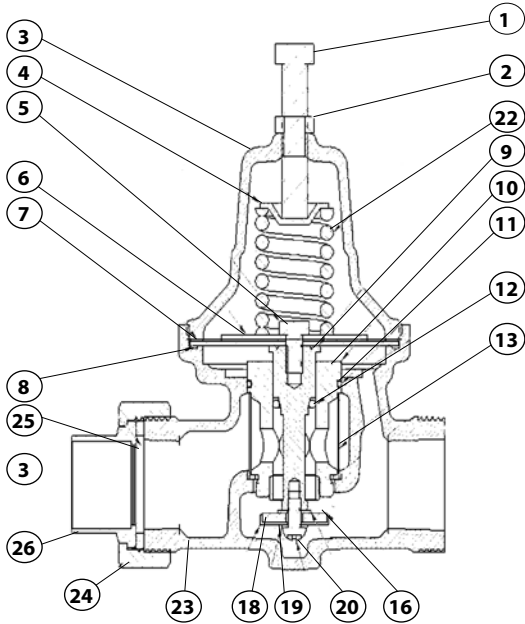
For additional information, submittal sheets and manuals, visit [www.apollovalves.com](http://www.apollovalves.com)

Customer Service (704) 841-6000

# WATER PRESSURE REDUCING VALVES

For General Purpose Residential & Light to Medium Commercial Applications

## PR SERIES (36)

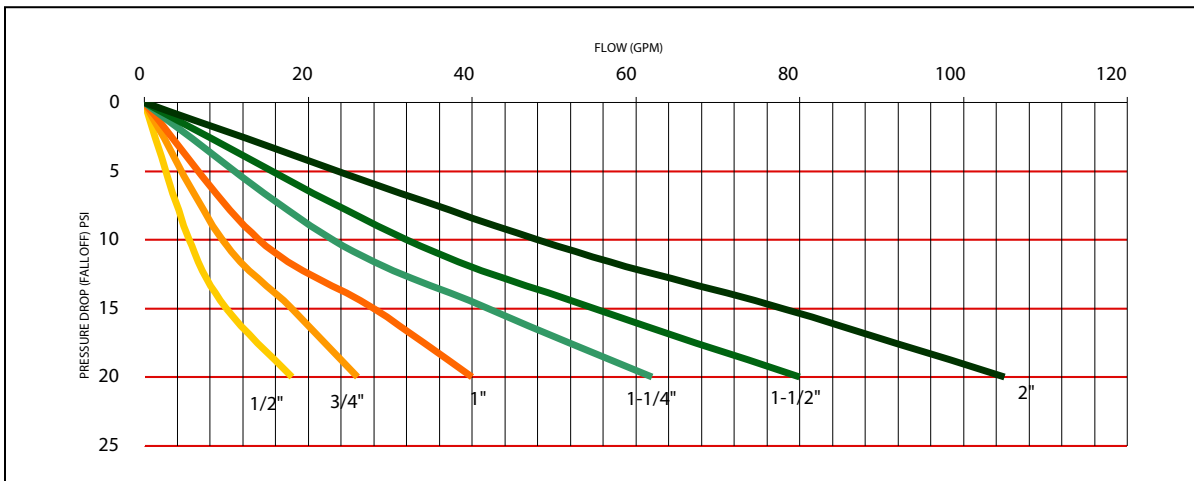


## MATERIALS

Item	Description
1	Adj. Screw (Zinc Plated Stl.)
2	Hex Nut (Zinc Plated Stl.)
3	Cap (Cast Bronze)
4	Spring Disc (Zinc Plated Steel)
5	Cartridge Bolt
6	Pressure Plate (Zinc Plated Steel)
7	Friction Ring (Zinc Plated Steel)
8	Diaphragm (FDA Nitrile)
9	Stem (Brass)
10	Cartridge Housing (Brass)
11	O-ring (FDA Nitrile)
12	O-ring (FDA Nitrile)
13	Screen (300 Series SS)

Item	Description
14	Seal, Cartridge (Polypropylene)
15	Seat Ring (300 Series SS)
16	Washer (Brass)
17	Seat Disc (FDA EPDM)
18	Seat Holder (Brass)
19	Washer (Polypropylene)
20	Seat Screw (300 Series SS)
21	Nameplate (Aluminum)
22	Spring (ASTM 228 Music Wire)
23	Body, Machined (Cast Bronze)
24	Union Nut (Cast Bronze)
25	Union Washer (FDA Nitrile)
26	Union Tail Piece (Brass)

## FLOW CHART



NOTE: Flow curves are based on static conditions of: Inlet pressure = 100 psig; Outlet pressure = 50 psig. All curves are for female NPT versions only. Fall Off is the difference between the PRV's set pressure and the flowing pressure at any given demand.

## JUMP KIT - PR SERIES



Part Number	Size (in.)	Description
36-404-JK	3/4	Thread
36-405-JK	1	
36-406-JK	1-1/4	
36-504-JK	3/4	Solder
36-505-JK	1	
36-506-JK	1-1/4	
36-504-JKC	3/4	CPVC

Note: Jump kits available for 3/4" - 1-1/4" ONLY. Jump kits 1" and larger include a strainer for use during system flush.

# WATER PRESSURE REDUCING VALVES

For General Purpose Residential & Light to Medium Commercial Applications

## PR SERIES (36)



		PRESSURE DIFFERENTIAL (PSI)		
		25	50	75
PIPE SIZE	*FALL OFF (PSI)	Water Capacity (GPM)		
1/2"	5	1.7	2.0	2.3
	10	4.3	5.0	5.8
	15	8.5	10.0	11.5
	20	15.3	18.0	20.7
3/4"	5	3.4	4.0	4.6
	10	7.7	9.0	10.4
	15	14.5	17.0	19.6
	20	22.1	26.0	29.9
1"	5	5.1	6.0	6.9
	10	11.9	14.0	16.1
	15	22.1	26.0	29.9
	20	34.0	40.0	46.0
1 1/4"	5	8.5	10.0	11.5
	10	19.6	23.0	26.5
	15	35.7	42.0	48.3
	20	52.7	62.0	71.3
1 1/2"	5	11.9	14.0	16.1
	10	27.2	32.0	36.8
	15	47.6	56.0	64.4
	20	68.0	80.0	92.0
2"	5	15.3	18.0	20.7
	10	39.1	46.0	52.9
	15	66.3	78.0	89.7
	20	93.5	110.0	126.5

\* Fall Off is the difference between the PRV's set pressure and the flowing pressure at any given demand.

## MODEL NUMBER MATRIX

PR	X	X	X	X	X	X		
UNION		GAUGE	PRESSURE SETTING	MISCELLANEOUS	SIZE	CONNECTION	LEAD FREE	
Blank	- Single Union	Blank	- No Gauge	Blank	- 25-75 psig	Blank	- FNPT x FNPT	Blank -
D	- Double Union	P	- With Gauge Port	L	- 10-35 psig	A	- Stainless Steel Trim*	Non-Lead Free
T	- No Union	G	- With Gauge	H	- 75-125 psig			LF - Lead Free
					12	- 1/2"		
					34	- 3/4"		
					1	- 1"		
					114	- 1-1/4"		
					112	- 1-1/2"		
					2	- 2"		
							Blank	
							<b>SINGLE UNION ONLY</b>	
							Blank	
							S	
							C	
							X	
							PR	
							<b>DOUBLE UNION ONLY</b>	
							S	
							C	
							X	
							B	
							SC	
							SX	
							CX	
							PR	

\* Sealed cage with stainless steel adjusting screw for vault installation.

## PART NUMBER MATRIX

36	36LF	X	X	X	X	X	X
CONNECTION		OPTION	SIZE	GAUGE	PRESSURE (ADJUSTABLE)	OPTION	
1	- Single Union NPT	O	- No Option	03	- 1/2"	O	- No Gauge
2	- No Union NPT	C	- CPVC Tailpiece	04	- 3/4"	P	- With Gauge Port
3	- Single Union Solder x NPT	S	- Sealed Cage*	05	- 1"	G	- With Gauge
4	- Double Union NPT	X	- Pex Tailpiece	06	- 1-1/4"		
5	- Double Union Solder			07	- 1-1/2"		
6	- Single Union Meter x NPT			08	- 2"		
8	- Double Union CPVC						
9	- Double Union Pex						
							PR - Press
							(applies to models 36-20x and 36LF20x only)

\* S option = Sealed cage with stainless steel adjusting screw for vault installation.



For additional information, submittal sheets and manuals, visit [www.apollovalves.com](http://www.apollovalves.com)

Customer Service (704) 841-6000

# WATER PRESSURE REDUCING VALVES

## Compact Design for Residential & Light Commercial Applications

### PRC SERIES (36C)



Versatile, all-purpose Apollo PRC Series pressure reducing valves handle pressures up to 400 PSI. Compact and with a built-in thermal expansion by-pass, they're designed to protect residential and commercial water distribution systems from excessive pressures.

The valves' integral thermoplastic cage helps protect the inner adjusting spring from galvanic corrosion. Built for reliable, long-term service, PRC valves offer an all-bronze body, stainless steel strainer and seat. They comply with ASSE 1003 and CSA B356 standards. They are listed with IAPMO and City of Los Angeles.

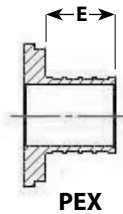
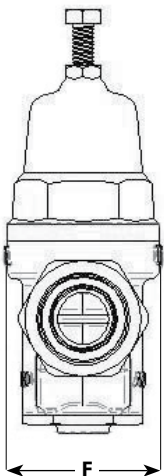
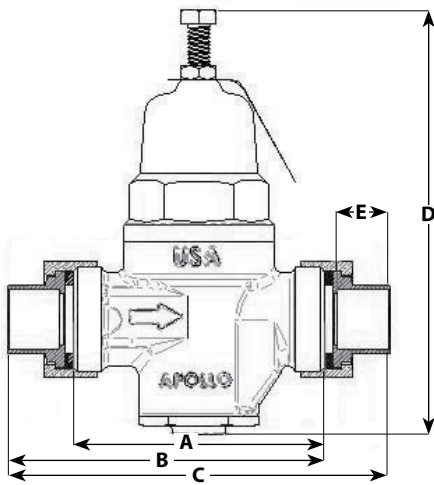
Designed for easy in-line servicing, PRC models come standard with a clean-out plug on the housing's bottom. Both seat disc and strainer can be maintained via the clean-out plug using a 1 1/2" hex socket. Available with or without gauge tapping and gauge.

### FEATURES

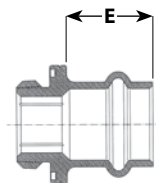
- Dependable cast bronze body
- Suitable for supply pressures to 400 psi
- Every valve is 100% factory set and tested
- Standard factory setting is 50 psi
- High and low pressure model options
- Diaphragm suitable for 33 - 180°F
- Solder, Thread, PEX, CPVC, and Press connection options
- Sealed cage with ss adjusting screw for vault installation
- Integral thermal expansion by-pass
- Integral stainless steel strainer
- Single and double union options
- In-line repairable, bottom access
- **USA materials and manufacture**
- **Lead Free** option (36CLF)

### APPROVALS:

- ASSE 1003
- CSA B356



PEX



Press

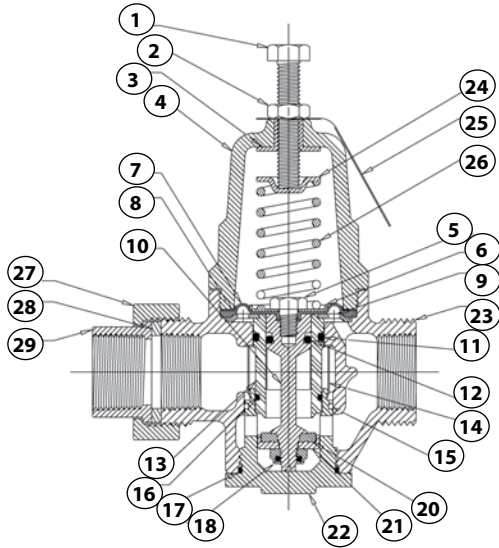
Size	Connection	A (in.)	B (in.)	C (in.)	D (in.)	E (in.)	F (in.)	WT. (Union) (lbs)
1/2	Thread	3.63	4.50	5.38	6.00	0.63	2.75	3.5
	Solder	3.63	4.50	5.38	6.00	0.50	2.75	3.4
	PEX	3.63	4.50	5.50	6.00	0.63	2.75	3.3
	CPVC	3.63	4.50	5.00	6.00	0.50	2.75	3.1
	Press	N/A	N/A	5.48	6.00	0.75	2.75	2.8
3/4	Thread	3.63	4.50	5.50	6.00	0.63	2.75	3.4
	Solder	3.63	4.50	5.50	6.00	0.75	2.75	3.3
	PEX	3.63	4.63	5.63	6.00	0.63	2.75	3.2
	CPVC	3.63	4.50	5.50	6.00	0.63	2.75	3.0
	Press	N/A	N/A	5.79	6.00	0.88	2.75	2.8
1	Thread	3.75	4.63	5.75	6.00	0.63	3.38	4.5
	Solder	3.75	4.63	5.75	6.00	0.88	3.38	4.4
	PEX	3.75	4.75	6.00	6.00	0.75	3.38	4.3
	CPVC	3.75	4.75	6.00	6.00	0.94	3.38	4.0
	Press	N/A	N/A	6.16	6.00	0.88	3.38	3.1



# WATER PRESSURE REDUCING VALVES

## Compact Design for Residential & Light Commercial Applications

### PRC SERIES (36C)

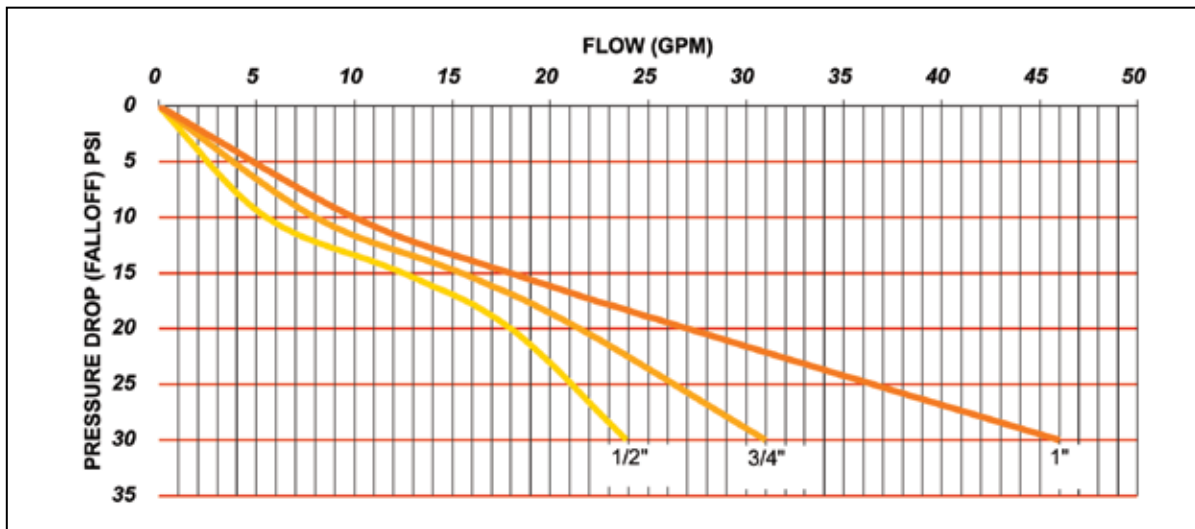


### MATERIALS

Item	Description
1	Adjusting Bolt (Stainless Steel)
2	Nut (Stainless Steel)
3	Tee Nut (Zinc Plated Steel)
4	Cap (G.F. Celcon)
5	Hex Bolt (300 Series SS)
6	Pressure Plate (Brass)
7	Diaphragm (FDA EPDM W/Polyester)
8	Friction Ring (Brass)
9	Cartridge Ret. Washer (Brass)
10	Stem (Brass)
11	O'Ring (FDA Nitrile)
12	O'Ring (FDA Nitrile)
13	Cartridge Housing (G.F. Noryl)
14	Screen (300 Series SS)
15	O'Ring (FDA Nitrile)

Item	Description
16	O'Ring (FDA Nitrile)
17	O'Ring (FDA Nitrile)
18	Lock Nut (300 Series SS)
19	Seat Ring (300 Series SS)
20	Seat Disc (FDA EPDM)
21	Disc Holder (Brass)
22	Clean-Out Plug (Brass)
23	Body, Machined (Cast Bronze)
24	Spring Disc (Zinc Plated Steel)
25	Nameplate (Aluminum)
26	Spring (Zinc Plated Music Wire)
27	Union Nut (Brass)
28	Union Washer (FDA Nitrile)
29	Union Tail Piece (Brass)

### FLOW CHART



NOTE: Flow curves are based on static conditions of: Inlet pressure = 100 psig; Outlet pressure = 50 psig. All curves are for female NPT versions only. Fall Off is the difference between the PRV's set pressure and the flowing pressure at any given demand.

### JUMP KIT - PRC SERIES



Part Number	Size (in.)	Description
36C-404-JK	3/4	Thread
36C-405-JK	1	
36C-504-JK	3/4	Solder
36C-505-JK	1	
36C-504-JKC	3/4	CPVC
36C-505-JKC	1	
36C-904-JK	3/4	Pex

# WATER PRESSURE REDUCING VALVES

## Compact Design for Residential & Light Commercial Applications

### PRC SERIES (36C)



PIPE SIZE	*FALL OFF (PSI)	PRESSURE DIFFERENTIAL (PSI)		
		25	50	75
Water Capacity (GPM)				
1/2"	5	1.3	1.5	1.7
	10	4.7	5.5	6.3
	15	10.6	12.5	14.4
	20	15.3	18.0	20.7
	30	20	24	27
3/4"	5	2.1	2.5	2.9
	10	6.8	8.0	9.2
	15	13.2	15.5	17.8
	20	18.3	21.5	24.7
	30	27	31	35
1"	5	2.8	3.3	3.7
	10	8.5	10.0	11.5
	15	15.3	18.0	20.7
	20	21.3	25.0	28.8
	30	40	46	51

\* Fall Off is the difference between the PRV's set pressure and the flowing pressure at any given demand.

### MODEL NUMBER MATRIX

PRC	X	X	X	X	X	X
UNION	GAUGE	PRESSURE SETTING (ADJ)	MISCELLANEOUS	SIZE	CONNECTION	LEAD FREE
Blank - Single Union D - Double Union T - No Union	Blank - No Gauge P - With Gauge Port G - With Gauge	Blank - 25-75 psig L - 10-35 psig H - 75-125 psig	Blank - No Option	12 - 1/2" 34 - 3/4" 1 - 1"	Blank - FNPT x FNPT <b>SINGLE UNION ONLY</b> Blank - FNPT x FNPT S - Solder x FNPT C - CPVC x FNPT X - PEX x FNPT E - 90° Elbow x FNPT M - Meter x FNPT PR - Press x FNPT <b>DOUBLE UNION ONLY</b> S - Solder x Solder C - CPVC x CPVC X - PEX x PEX B - BSPT x BSPT SC - Solder x CPVC SX - Solder x PEX CX - CPVC x PEX CE - CPVC x 90° Elbow SE - Solder x 90° Elbow PR - Press x Press	Blank - Non-Lead Free LF - Lead Free

Note: Two letter union type offered in double union connection only.  
Union connections are shipped loose.

### PART NUMBER MATRIX

36C	36CLF	X	X	X	X	X
CONNECTION	SIZE	GAUGE	PRESSURE (ADJUSTABLE)	OPTION		
1 - Single Union NPT	03 - 1/2"	0 - No Gauge	1 - 25-75 psig	C - CPVC Tailpiece		
2 - No Union NPT	04 - 3/4"	P - With Gauge Port Plugged	2 - 10-35 psig	X - Extended Union		
3 - Single Union Solder x NPT	05 - 1"	G - With Gauge	3 - 75-125 psig	PR - Press		
4 - Double Union NPT						
5 - Double Union Solder						
6 - Single Union Meter						
7 - Single Union 90° Elbow Meter						
9 - Double Union Pex						

# WATER PRESSURE REDUCING VALVES

## Light Duty Residential & Commercial Application

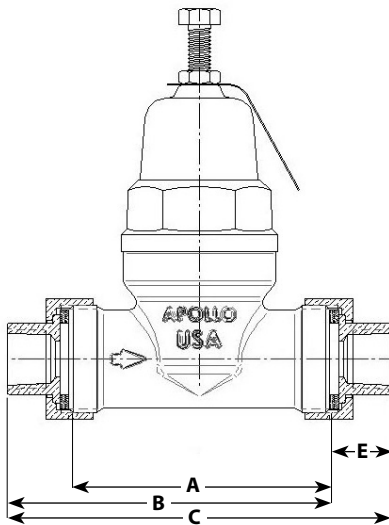
### PRE SERIES (36E)



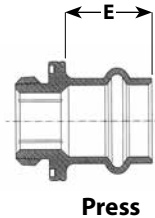
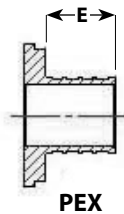
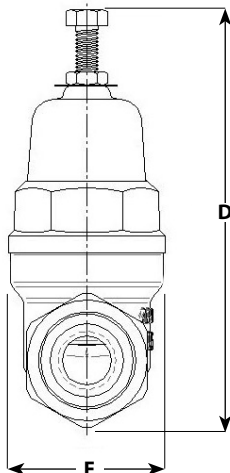
Designed for light duty residential and commercial applications to protect water supplies from excessive pressure. Excellent flow performance at low pressure drop. The dezincification resistant bronze body and dielectric polymer cage provide maximum corrosion resistance. Designed for easy in-line servicing with simple cartridge removal. They meet ASSE 1003 and CSA B356 standards. They are listed with IAPMO and the city of Los Angeles.

#### FEATURES

- Balanced piston design
- Sealed cage for vault installations
- Built-in thermal expansion by-pass
- Integral stainless steel strainer
- Modular seat disc and strainer cartridge
- Control pressure ranges: 15-75 psi and 75-150 psi
- NPT, Solder, PEX, CPVC and Press and Push connections
- Maximum supply pressure: 400 psig
- Working temperature range: 33°F-180°F
- **100% manufactured in USA**
- **Lead Free** option (36ELF)



Size	Connection	A (in.)	B (in.)	C (in.)	D (in.)	E (in.)	F (in.)	WT. (Union) (lbs)
1/2	Thread	3.63	4.50	5.38	6.00	0.63	2.75	2.4
	Solder	3.63	4.50	5.50	6.00	0.50	2.75	2.4
	PEX	3.63	4.50	5.50	6.00	0.63	2.75	2.4
	CPVC	3.63	4.25	5.00	6.00	0.50	2.75	2.4
	Press	N/A	N/A	5.48	6.00	0.74	2.75	2.4
3/4	Thread	3.63	4.50	5.50	6.00	0.63	2.75	2.4
	Solder	3.63	4.50	5.50	6.00	0.75	2.75	2.4
	PEX	3.63	4.63	5.63	6.00	0.63	2.75	2.4
	CPVC	3.63	4.50	5.50	6.00	0.63	2.75	2.4
	Press	N/A	N/A	5.79	6.00	0.88	2.75	2.4
1	Thread	3.63	4.63	5.75	6.00	0.63	3.38	2.7
	Solder	3.63	4.63	5.75	6.00	0.88	3.38	2.7
	PEX	3.63	4.75	6.00	6.00	0.75	3.38	2.7
	CPVC	3.63	4.75	6.00	6.00	0.94	3.38	2.7
	Press	N/A	N/A	5.91	6.00	0.88	3.38	2.7

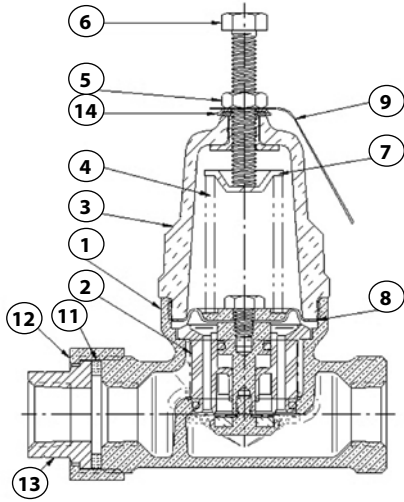


# WATER PRESSURE REDUCING VALVES

Light Duty Residential & Commercial Application

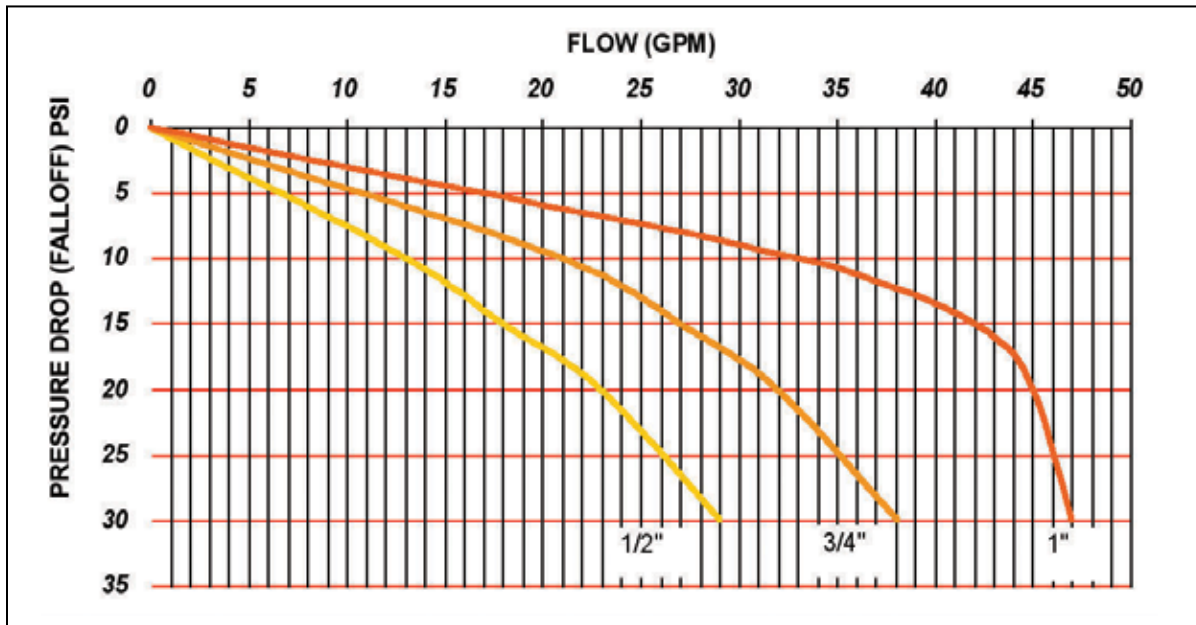
## PRE SERIES (36E)

## MATERIALS



Item	Description
1	Body (Bronze, ASTM B584-C84400)
2	Assy, Cartridge (Noryl/Brass/EPDM)
3	Assy, Cap (Acetal)
4	Spring (Music Wire ASTM A228)
5	Nut 5/16-18 (Stainless Steel)
6	Bolt, 5/16-18 x 2 (Stainless Steel)
7	Washer, Spring (Steel Plated)
8	Friction Ring (Brass)
9	Nameplate (Aluminum)
11	Washer (BUNA-N)
12	Nut, Union (Brass, ASTM B16-C36000)
13	Tailpiece (Brass, ASTM B16-C36000)

## FLOW CHART



Fall Off is the difference between the PRV's set pressure and the flowing pressure at any given demand.

# WATER PRESSURE REDUCING VALVES

## Light Duty Residential & Commercial Application

### PRE SERIES (36E)



PIPE SIZE	*FALL OFF (PSI)	PRESSURE DIFFERENTIAL (PSI)		
		25	50	75
Water Capacity (GPM)				
1/2"	10	10	13	16
	15	13	18	22
	20	17	23	29
	30	22	29	36
3/4"	10	16	21	26
	15	20	27	32
	20	24	32	40
	30	29	38	48
1"	10	25	33	41
	15	30	42	52
	20	34	45	56
	30	35	47	59

\* Fall Off is the difference between the PRV's set pressure and the flowing pressure at any given demand.

### MODEL NUMBER MATRIX

PRE	X	X	X	X	
UNION		PRESSURE SETTING (ADJ)	SIZE	CONNECTION	LEAD FREE
Blank	- Single Union x NPT	Blank - 15-75 psig	12 - 1/2"	Blank - FNPT	LF - Lead Free
D	- Double Union	H - 75-125 psig	34 - 3/4"	S - Solder	
T	- No Union		1 - 1"	C - CPVC	
				P - PUSH	
				X - PEX	
				PR - Press	

### PART NUMBER MATRIX

36E	1	X	X	X	X	X
36ELF -	STYLE	UNION	SIZE	OPTION	PRESSURE	CONNECTION
36E - Standard	0	- No Union NPT	3 - 1/2"	B - Bronze	1 - 15-75 psig	T - FNPT Thread
36ELF - Lead Free	1	- Single Union	4 - 3/4"	Cap	3 - 75-150 psig	S - Solder
	2	- Double Union	5 - 1"			C - CPVC
						P - Push
						X - PEX
						PR - Press



For additional information, submittal sheets and manuals, visit [www.apollovalves.com](http://www.apollovalves.com)

Customer Service (704) 841-6000

# WATER PRESSURE REDUCING VALVES

## Super Capacity for Commercial, Institutional & Industrial Applications

### PRH SERIES (36H)



Apollo PRH Series pressure reducing valves offer high performance in heavy-duty applications. They're designed with a larger diaphragm and orifice area to yield the highest water flow water capacities in the industry.

PRH pressure reducing valves' integral by-pass protects against thermal expansion. Built for extended service, these models include bronze body construction and stainless steel replaceable seat. They meet ASSE 1003 and CSA B356 standards. They are listed with IAMPO and city of Los Angeles.

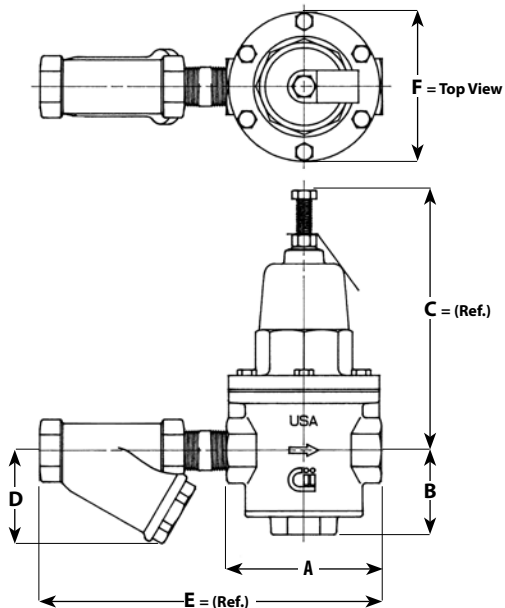
These heavy-duty valves are available with optional in-line strainer and ANSI 150# integral bronze flange connections. (2-1/2" and 3" only)

#### FEATURES

- Bronze body and spring cage for superior corrosion resistance and dependability
- SS fasteners, spring, seat, and adjustment screw
- Suitable for supply pressures to 400 psi
- Every valve is 100% factory set and tested
- Standard factory setting is 50 psi
- Operating temp: 33 - 180°F
- Integral thermal expansion by-pass
- In-line repairable, bottom access
- **USA materials and manufacture**
- **Lead Free** option (36HLF)

#### APPROVALS:

- ASSE 1003
- CSA B356

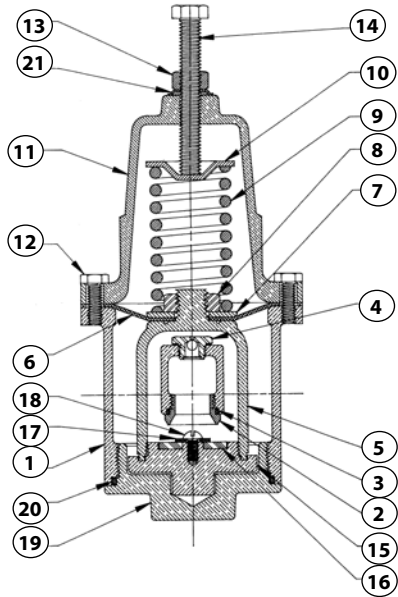


Size (in.)	A (in.)	B (in.)	C (in.)	D (in.)	E (in.)	F (in.)	Wt. w Strainer	Wt. w/o Strainer
<b>NPT</b>								
1/2"	4.13	2.25	7.00	1.88	8.38	4.00	7.0	6.00
3/4"	4.13	2.25	7.00	2.44	9.00	4.00	8.0	6.00
1"	4.81	2.31	7.50	4.00	10.25	4.69	12.0	8.00
1-1/4"	6.75	3.81	10.00	3.38	12.50	6.50	29.0	24.00
1-1/2"	6.75	3.19	10.00	3.88	13.13	6.50	29.0	23.00
2"	8.13	3.50	12.50	4.63	16.00	7.63	47.0	38.00
2-1/2"	8.13	3.50	12.50	5.94	16.69	7.63	49.0	37.00
3"	10.38	3.94	15.13	6.94	20.50	9.75	87.0	70.00
<b>Flanged</b>								
2-1/2"	10.38	3.50	12.50	7.13	21.69	7.63	105.0	55.00
3"	12.50	3.94	15.13	8.13	24.50	9.75	136.0	92.00

# WATER PRESSURE REDUCING VALVES

Super Capacity for Commercial, Institutional & Industrial Applications

## PRH SERIES (36H)

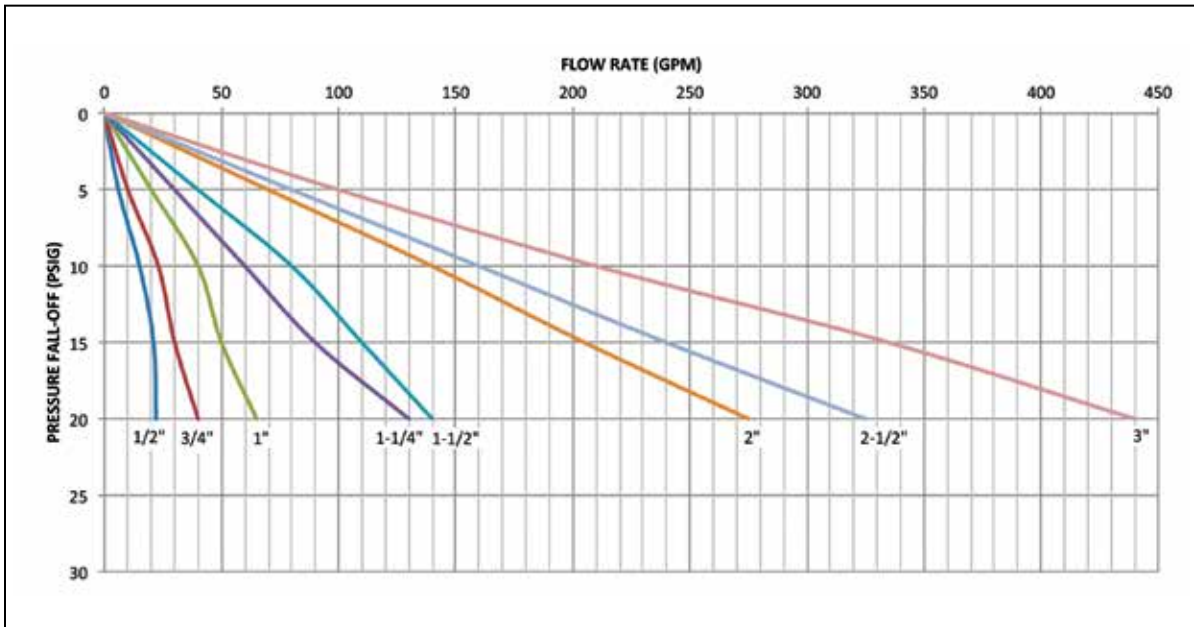


## MATERIALS

Item	Description
1	Body (Bronze)
2	Seat (SS)
3	Seat O-Ring (Nitrile)
4	By-Pass Assembly
5	Yoke (Bronze)
6	Diaphragm (Nitrile W/Nylon Reinforcement)
7	Diaphragm Washer (SS)
8	Diaphragm Nut (SS)
9	Spring (SS)
10	Spring Retainer (SS)

Item	Description
11	Cap (Bronze)
12	Cap Bolts (SS)
13	Lock Nut (SS)
14	Adjustment Screw (SS)
15	Seat Disc Holder (Bronze)
16	Seat Disc (EPDM)
17	Seat Disc Washer (SS)
18	Seat Screw (SS)
19	Bottom Cover (Bronze)
20	Bottom Cover O-Ring (Nitrile)
21	Cage-Sealing Washer (SS)

## FLOW CHART



NOTE: Flow curves are based on static conditions of: Inlet pressure = 100 psig; Outlet pressure = 50 psig. All curves are for female NPT versions only. Fall Off is the difference between the PRV's set pressure and the flowing pressure at any given demand.

# WATER PRESSURE REDUCING VALVES

Super Capacity for Commercial, Institutional & Industrial Applications

## PRH SERIES (36H)



PIPE SIZE	*FALL OFF (PSI)	PRESSURE DIFFERENTIAL (PSI)		
		25	50	75
		Water Capacity (GPM)		
1/2"	5	8.5	10.0	11.5
	10	13.6	16.0	18.4
	15	17.9	21.0	24.2
	20	21.3	25.0	28.8
3/4"	5	10.6	12.5	14.4
	10	20.4	24.0	27.6
	15	28.1	33.0	38.0
	20	34.0	40.0	46.0
1"	5	17.0	20.0	23.0
	10	29.8	35.0	40.3
	15	40.8	48.0	55.2
	20	51.0	60.0	69.0
1-1/4"	5	21.3	25.0	28.8
	10	51.9	61.0	70.2
	15	80.8	95.0	109.3
	20	113.1	125.0	143.8
1-1/2"	5	29.8	35.0	40.3
	10	61.5	72.3	83.1
	15	90.1	106.0	121.0
	20	113.1	133.0	153.0
2"	5	55.3	65.0	74.8
	10	126.7	149.0	171.4
	15	174.3	205.0	235.8
	20	231.20	272.0	312.80
2-1/2"	5	58.7	69.0	79.4
	10	132.6	156.0	179.4
	15	200.6	236.0	271.40
	20	271.20	319.0	366.9
3"	5	80.8	95.0	109.3
	10	176	207	238.1
	15	282.5	332.4	382.3
	20	365.5	430.0	494.5

\* Fall Off is the difference between the PRV's set pressure and the flowing pressure at any given demand.

## MODEL NUMBER MATRIX

PRH - X	X	X	X	
CONNECTIONS	MISCELLANEOUS	PRESSURE SETTING	SIZE	LEAD FREE
T - FNPT x FNPT	Blank - No Strainer	Blank - 25-75 psig	12 - 1/2"	Blank -
F - Flanged	Y - With Strainer	L - 10-35 psig	34 - 3/4"	Non-Lead Free
		H - 75-125 psig	1 - 1"	LF - Lead Free
			114 - 1-1/4"	
			112 - 1-1/2"	
			2 - 2"	
			212 - 2-1/2"	
			3 - 3"	

Note: ANSI 150 lb. flange connection for 2-1/2" and 3" only. Not all variations are available in each size. Check with customer service.

## PART NUMBER MATRIX

36H	X	X	- OX
36HLF - X	X	X	- OX
END CONNECTIONS	OPTIONS	SIZE	PRESSURE RANGE
2 - FNPT x FNPT (Standard)	0 - Standard	3 - 1/2"	01 - 25-75 psig (Standard)
7 - Flanged (2-1/2" - 3" only)	1 - With Y-Strainer	4 - 3/4"	02 - 10-35 psig
		5 - 1"	03 - 75-125 psig**
		6 - 1-1/4"	** Can be adjusted to 75-165 psig
		7 - 1-1/2"	
		8 - 2"	
		9 - 2-1/2"	
		0 - 3"	

www.apollovalves.com

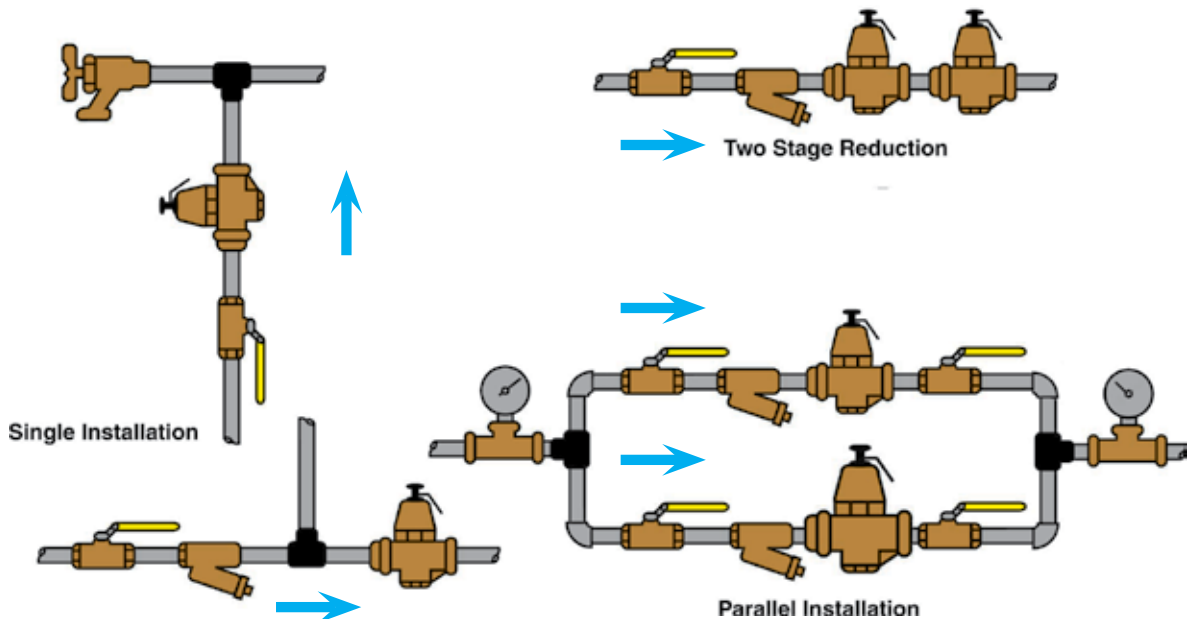
Customer Service (704) 841-6000





# WATER PRESSURE REDUCING VALVES

## Installation Configurations



## SIZING WPRV

1. WHAT IS THE SUPPLY PRESSURE?
2. WHAT IS THE DESIRED REDUCED DOWNSTREAM PRESSURE?

The reduced pressure prevents damage to water fixtures and downstream piping. Optimal performance is achieved at a 2:1 ratio. Example: 100 psi supply pressure, 50 psi static downstream pressure. 50 psi is the default factory setting.

Multiple valves should be used for large pressure drop requirements.

3. WHAT IS THE CALCULATED FLOW REQUIREMENT MINIMUM & MAXIMUM?

Do not size for maximum flow requirement. An over sized valve will operate in a nearly closed position causing premature wear and undesirable noise.

If normal flow requires a line size regulator, a smaller regulator, piped parallel to the main regulator should be considered. Adjusting the smaller bypass regulator at 5-10 psi higher than the main regulator will help prevent premature wear and noise.

4. SIZE FOR 10-20 PSI FALL OFF (EXAMPLES CAN BE FOUND IN CHART)

Falloff is normal. As flow increases, pressure decreases. As flow decreases, pressure increases. Low flow at high pressure forces the valve to operate in a near closed position. Sizing at 10-15 psi falloff will allow the valve to operate nearer the middle of its operating range. Mid range improves performance and durability.

## THERMAL EXPANSION CONSIDERATIONS

Installing a pressure reducing valve creates a closed water system. Thermal expansion occurs in a closed system when water is heated and pressure builds up. A thermal by-pass designed into the reducing valve can dissipate the expanded pressure back to the service main.

When the system pressure in a closed system increases to a pressure greater than the supply pressure by just one pound, the o-ring on the stem will flex (see Fig. A) and allow the excess pressure to be relieved to the supply side until pressures on both the system and supply sides are equal. When a faucet on the system side is used, thus lowering the pressure, the valve opens as soon as the system pressure falls below the set outlet pressure, typically 50 psi. The valve and the system then return to normal as shown in Fig. B above. The PRH features a ball and seat type of check valve as a thermal by-pass but the principle is similar.

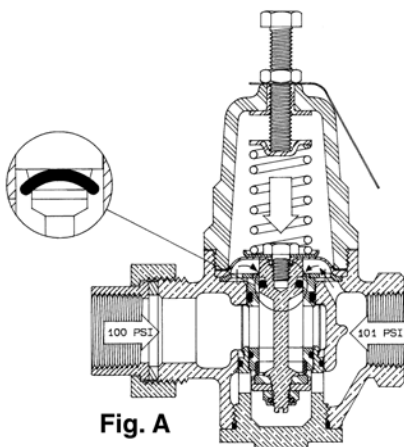


Fig. A

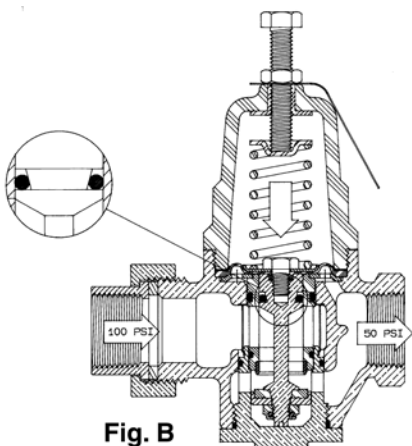
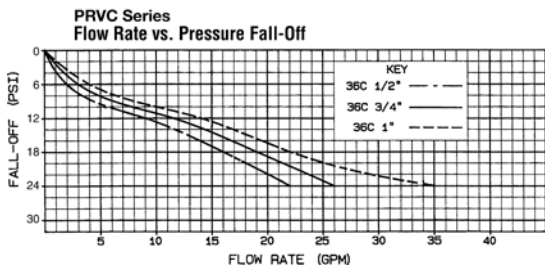
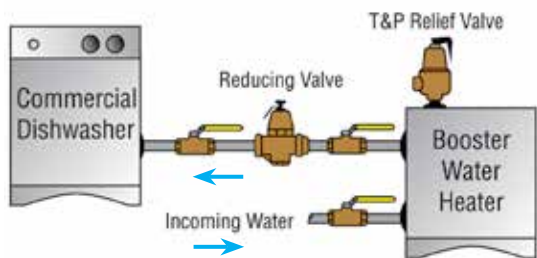


Fig. B

# WATER PRESSURE REDUCING VALVES



## SPECIALLY DESIGNED LOW PRESSURE MODELS

Apollo's low pressure reducing valves are designed to provide optimal performance low pressure (10 to 35 PSI) for residential and commercial applications.

## FLOW/PERFORMANCE CURVES

Apollo offers performance curves for every version of its PR Series pressure reducing valves. All curves plot the rate of flow against the reduced pressure fall-off.

In all charts, zero (0) indicates a no-flow condition. Figures below zero on the flow curve chart show the pressure change or fall-off needed to produce the flows indicated by the curves for valves of different sizes. It is important to allow for some fall-off from the set pressure downstream during flow conditions.

### EXAMPLE:

A PRC 3/4" with an inlet pressure of 100 psi is set to an outlet pressure of 50 psi in the static, no-flow condition. The flow demand through the valve is expected to be 19 gpm. The chart below shows that the fall-off at that flow rate is 18 psi, so the pressure will drop from 50 psi to about 32 psi at 19 gpm.

Although this chart shows curves at a 50 psi differential, curves for other settings are similar. The curve shifts slightly to the left for a smaller differential and to the right for a greater differential.

For every model and size, the amount of water passed through the valve depends on the difference between the inlet pressure and the outlet pressure. As the pressure differential increases, the volume of water increases.

Reduced pressures must drop off slightly from the setting of the valve as flow starts. As flow increases, the pressure must continue to fall.

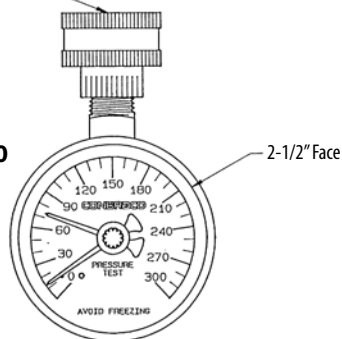
Required capacity depends entirely on where and how the valve is used. In typical systems where water is supplied to lavatories, toilets, bath tubs and showers in homes, schools, apartments hospitals, a 25 to 30 percent pressure drop-off is satisfactory.

In laundries, car washes, commercial dishwashers and other industrial and commercial applications, a 10 to 15 percent pressure drop-off may be preferred.

Generally, the greater the output variation, the higher the valve's capacity. A larger valve will offer more capacity with less pressure fall-off than a smaller valve of the same model. Also valve capacities can vary depending on the size of the piping. Apollo pressure reducing valves offer a wide range of performance; selecting the best valve for the application depends on more than pipe size alone. The Apollo technical staff is available to assist you.

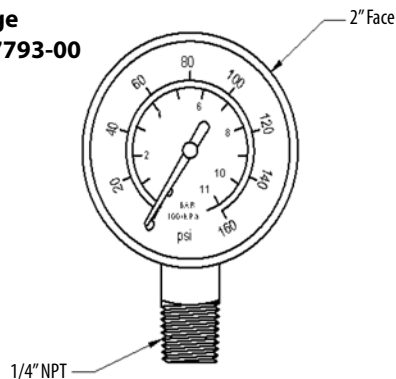
3/4" Female Hose Bib Connection Swivel Type with Washer

**Gauge  
#W-8078-00**



**Hose Bibb**

**Gauge  
#W-7793-00**



**Outlet Pressure Gauge**

## GAUGES

Apollo offers the gauges necessary for proper selection, use and maintenance of pressure reducing valves.

The hose bibb maximum pressure indicator gauge or pressure test gauge is used in determining the need for pressure reducing valves and the amount of reduction necessary. This gauge is attached to a hose bibb or sill cock which is then turned to full open position. The gauge is left in place for a period of time, usually over night, to record the maximum pressure level at that location.

An outlet pressure gauge allows a quick visual check of outlet water pressure. These gauges are often installed permanently so that any unexpected increase or decrease in pressure can be detected and dealt with before it results in damage to the system. Apollo offers a 2" outlet pressure gauge as an option on the PRC. Both types of gauges are available from your Apollo distributor.

## REPAIR KITS AVAILABLE

Repair parts are available for all Apollo pressure reducing valves. Convenient pre-packaged repair kits for each model are also available.

# WATER PRESSURE REDUCING VALVES

## WARRANTY AND LIMITATIONS OF LIABILITY

Conbraco Industries, Inc. warrants, to its initial purchaser only, that its products which are delivered to this initial purchaser will be of the kind described in the order or price list and will be free of defects in workmanship or material for a period of FIVE years from the date of delivery to you, our initial purchaser. This warranty applies to Apollo brand product with "Made in the USA" markings only.

Should any failure to conform to this warranty appear within FIVE years after the date of the initial delivery to our initial purchaser, Conbraco will, upon written notification thereof and substantiation that the goods have been stored, installed, maintained and operated in accordance with Conbraco's recommendations and standard industry practice, correct such defects by suitable repair or replacement at Conbraco's own expense.

APOLLO INTERNATIONAL PRODUCTS: Conbraco Industries, Inc. warrants its International products, to its initial purchaser only, that its international products which are delivered to this initial purchaser will be of the kind described in the order or price list and will be free of defects in workmanship or material for a period of TWO years from the date of delivery to you, our initial purchaser.

THIS WARRANTY IS EXCLUSIVE AND IS IN LIEU OF ANY IMPLIED WARRANTY OF MERCHANTABILITY, FITNESS FOR A PARTICULAR PURPOSE OR OTHER WARRANTY OF QUALITY, WHETHER EXPRESSED OR IMPLIED, EXCEPT THE WARRANTY OF TITLE AND AGAINST PATENT INFRINGEMENT. Correction of non-conformities, in the manner and for the period of time provided above, shall constitute fulfillment of all liabilities of Conbraco to our initial purchaser, with respect to the goods, whether based on contract, negligence, strict tort or otherwise. It is the intention of Conbraco Industries, Inc. that no warranty of any kind, whether expressed or implied shall pass through our initial purchaser to any other person or corporation.

LIMITATION OF LIABILITY: Conbraco Industries, inc. SHALL NOT UNDER ANY CIRCUMSTANCES BE LIABLE FOR SPECIAL OR CONSEQUENTIAL DAMAGES SUCH AS, BUT NOT LIMITED TO, DAMAGES OR TO LOSS OF OTHER PROPERTY OR EQUIPMENT, LOSS OF PROFITS OR REVENUE, COST OF CAPITAL, COST OF PURCHASED OR REPLACEMENT GOODS, OR CLAIMS OF CUSTOMERS OF OUR INITIAL PURCHASER. THE REMEDIES OF OUR INITIAL PURCHASER, AND ALL OTHERS, SET FORTH HEREIN, ARE EXCLUSIVE, AND THE LIABILITY OF CONBRACO WITH RESPECT TO SAME SHALL NOT, EXCEPT AS EXPRESSLY PROVIDED HEREIN, EXCEED THE PRICE OF THE GOODS UPON WHICH SUCH LIABILITY IS BASED.

\* It is the end user's responsibility to confirm that items intended for use satisfy local codes and standards.



## INTERNATIONAL SALES REPS & REGIONAL MANAGERS

	AREAS COVERED	EMAIL	PHONE	FAX	
INTERNATIONAL	<b>Conbraco International Sales:</b>				
	Jose Arias	Mexico	jose.arias@conbraco.com	1-956-631-4542	1-956-631-4681
	Luis Guzman	Puerto Rico/Caribbean	luis.guzman@conbraco.com	1-787-739-5620	
	JR Jefferson	Central & South America	jr.jefferson@conbraco.com	1-832-220-3783	
	Mike Link	United Kingdom	michael.link@peglyorkshire.co.uk	44-07957-843906	
	Luke Liu	China	luke.liu@conbraco.com	86-411-869-02498	
	Jonathan Yap	Asia	jonathan.yap@conbraco.com	65-9626-9241	65-6753-0131
	Brencliff Group	Australia	petermcl@brencliff.com	61-0477-223110	
	Pegler Yorkshire Mid East	Middle East/India	pydubai@mailme.ae	971-4-454-2353	971-4-454-2352
		Europe/Africa/Israel	Contact Customer Service	1-704-841-6000	1-704-841-6021
REGIONAL MANAGERS	<b>APOLLO VALVES REGIONAL SALES DIRECTORS</b>		P.O. BOX 247, Matthews, NC 28106		
	Brian Blalock	East	brian.blalock@conbraco.com	704-614-3744	704-841-6021
	Skip Wilson	West	skip.wilson@conbraco.com	760-330-3293	775-854-5722
	<b>APOLLO VALVES REGIONAL MANAGERS</b>				
	Kevin Ashworth	Mid Atlantic	kevin.ashworth@conbraco.com	757-272-6200	
	Steve Brown	Northwest	steve.brown@conbraco.com	425-985-5095	253-862-3548
	Andy Fretz	Canada - Commercial	andy.fretz@conbraco.com	647-281-3161	905-761-6666
	Ben Lauletta	Northeast	ben.lauletta@conbraco.com	518-795-4629	
	Sanford Pauly	North Central	sanford.pauly@conbraco.com	513-716-7772	513-321-7717
	Hector Rivera	Florida	hector.rivera@conbraco.com	786-210-7010	
	James Saldivar	South Central - Industrial	james.saldivar@conbraco.com	832-776-5547	
	Nick Shelley	South Central - Commercial	nick.shelley@conbraco.com	214-790-4157	
	Jim Todman	Canada - Industrial	jim.todman@conbraco.com	905-407-8385	905-761-6666
	<b>LASCO FITTINGS IRRIGATION REGIONAL MANAGERS</b>		P.O. BOX 116, Brownsville, TN 38012		
	David Beyer	Northeast	dbeyer@lascofittings.com	561-718-9379	
	Ron Modugno	West	rmodugno@lascofittings.com	661-910-5058	661-775-0713
Jimmy White	Central	jwhite@lascofittings.com	731-234-2372	731-779-3608	
Ben Freeman	Southeast	bfreeman@lascofittings.com	205-919-4944		
Rick Williamson	Eastern Specifications Manager	rwilliamson@lascofittings.com	386-451-2307		



For additional information, submittal sheets and manuals, visit [www.apollovalves.com](http://www.apollovalves.com)

Customer Service (704) 841-6000



**SALES & CUSTOMER SERVICE:** Phone: (704) 841-6000  
 Fax: (704) 841-6020

www.apollovalves.com

	AGENCY	AREAS COVERED	EMAIL	PHONE	FAX
<b>SOUTHEAST REGION</b>	Mid South Marketing, Inc.	VA/MD/Washington, D.C./WV-East	michael.uecker@msmsales1.com	804-213-3801	804-213-3802
	Pro Marketing, Inc.	NC/SC/TN-East	sales@promarketinginc.net	864-578-4334	864-578-4889
	Spirit Group	FL (except Panhandle)	info@spiritgroupinc.com	407-291-6035	407-299-0378
	Tim Morales & Associates, Inc.	AL/FL Panhandle	sales@timmorales.com	251-602-8333	251-602-8339
	White Wolf Group	GA	info@whitewolfgroupinc.com	800-401-4870	888-908-9372
<b>SOUTHERN REGION</b>	BWC Inc.	LA (Commercial Products)	chuck@bwcassoc.com	504-734-0229	504-734-3711
	Marathon Flow Control	TX, OK, KS except Northeast, LA (Industrial)	sales@marathonflowcontrol.com	214-201-0100	214-201-0104
	Southern Marketing Group	MS/TN-West/AR/Bowie Cty.-TX	SMG49@bellsouth.net	901-547-0042	901-547-0035
<b>MIDWESTERN REGION</b>	FourMation Sales	MN/ND/SD/WI-West	ryan@fourmationsales.com	763-420-6900	763-420-6993
	Marshall-Rodeno Heartland	NE/IA (Except River Counties)	trodeno@marshallrodeno.com	303-575-6701	303-575-6706
	Midwest Spec	Northern OH, Western PA, WV	glsales@mwspec.com	330-538-0406	330-538-0410
	Midwest Spec	Southern OH, KY	rvsales@mwspec.com	513-353-9191	513-353-1589
	New Tech Marketing	Northern-IL/WI-East/IN/MI-UP/IA-River Counties	sales@new-techmarketing.com	630-378-4300	630-378-0343
	New Tech Marketing	MO/Southern IL/Northeast Kansas	ntm112@aol.com	618-394-0329	618-394-0427
V.E. Sales Co., Inc.	MI (Except Upper Peninsula)	tomv@vesalesinc.com	586-774-7760	586-774-1490	
<b>WESTERN REGION</b>	Elmco Duddy	CA - South	tduddy@elmcoduddy.com	626-333-9942	626-855-4811
	Gordon & Associates	WA, OR, AK, Northern counties ID	kenn@gordonandassoc.com	907-441-7184	425-228-7777
	HC Fletcher	CA - North (AB 1953 Compliant Product & Fire Protection)	apollosales@hcfletcher.com	800-432-7047	949-660-9072
	Marshall-Rodeno Associated	CO/WY/MT/ID-SE/UT/NV-NE/NM/El Paso-TX	trodeno@marshallrodeno.com	303-575-6701	303-575-6706
	Romatec	CA - North PVF (Non AB 1953)	apollo@romatec.com	877-530-3530	661-588-3534
	Southwest Valves	CA (Waterworks)	d.burell@southwestvalve.com	559-261-2703	559-261-2711
	Southwestern Industrial Sales Co.	AZ/Nevada-SW	eduardop@sw-ind.com	480-458-5838	480-458-5843
Spec Management Group	HI	msmarch4@cox.net	949-481-4225	949-487-0990	
<b>NORTHEAST REGION</b>	Conroy & Griese Sales, Inc.	NY-East/NJ-North	jezzi52@aol.com	856-663-4440	856-663-6644
	Keith Engle & Associates	OEM accounts	keith.engle@verizon.net	610-213-5552	610-827-9561
	Layden Company	NY-Upstate/PA-East/DE/NJ-South	joejr@laydencompany.com	610-363-6657	877-529-3361
	Urell, Inc.	MA/New England States	conbraco@urell.com	617-923-9500	617-926-9414
<b>IRRIGATION ONLY REPS</b>	Active Sales Northwest, Inc.	OR, WA, Western ID	skactive@aol.com	541-726-0320	541-726-1148
	Biz Sales Company	OH, KY, MI, IN, parts of PA, WV, WI	dzavelson@bizpvf.com	216-595-2888	216-595-2899
	Fourmation Sales	MN/ND/SD/WI-West	dean@fourmationsales.com	763-262-4700	763-262-4740
	Hall Marketing	AL, LA	hallmarketing@bellsouth.net	228-547-4637	228-832-6666
	J&J Midwest Sales	NE, IA, MO, KS	john@jandjmidwestsales.com	314-422-8419	
	Jim Benton & Associates	AL, FL Panhandle	jim@bentonandassoc.com	205-664-1221	205-664-1277
	John Hart	FL	jhart@lascofittings.com	772-595-7773	772-489-4305
	Larry Perkins	TX - Southern	lperkins@lascofittings.com	936-443-1096	
	Marel Enterprises	New England, NY, DE, MD, VA, DC, parts of PA & WV	marelenterprise@gmail.com	631-271-1718	631-427-8558
	Marshall-Rodeno Associated	CO/WY/MT/ID-SE/UT/NV-NE	trodeno@marshallrodeno.com	303-575-6701	303-575-6706
	NSC Marketing Group Inc.	OK	nsc_tulsa@sbcglobal.net	918-627-5340	918-664-1408
	Pro Marketing, Inc.	NC/SC/TN-East	sales@promarketinginc.net	864-578-4334	864-578-4889
	Sherman Dobbs	TX - Northern	sdobbs@lascofittings.com	469-442-8510	972-417-9733
	Southern Marketing Group	MS/TN-West/AR/Bowie Cty.-TX	SMG49@bellsouth.net	901-547-0042	901-547-0035
Spec Management Group	CA-South	msmarch4@cox.net	949-481-4225	949-487-0990	
VPC Sales	AZ	chudson@vpcsales.com	661-257-3923	661-257-3928	
<b>APOLLO FIRE PROTECTION SYSTEM SOLUTIONS</b>	Brian Fiorisi	US	brian.fiorisi@conbraco.com	574-524-6675	
<b>CANADA</b>	Barclay Sales Ltd.	British Columbia	sales@barclaysales.com	604-945-1010	604-945-3030
	Conbraco Industries, Canada	178 Pennsylvania Ave., Unit 1, Concord, Ontario L4K 4B1	conbraco.canada@conbraco.com	905-761-6161	905-761-6666
	D & M Mechanical Sales	Ontario/East	don@dandmsales.ca	613-384-7084	613-384-3407
	Dynamic Agencies, Ltd.	Saskatchewan	doug.dynamicage@sasktel.net	306-343-1901	306-343-1901
	J. Levandier Sales, Inc.	Nova Scotia, New Brunswick, Prince Edward Island & Newfoundland	service@jlevandiersales	506-858-1615	506-858-1084
	Kern Industries, Ltd.	Alberta-North	kernind@telusplanet.net	780-451-2056	780-454-6687
	Kern Industries Calgary, Ltd.	Alberta-South	marty.yucytus@kernindustries.ca	403-730-7791	403-239-8179
	Key to the North Sales Agency, Inc.	Ontario-North	hmehes@keytothenorth.ca	705-524-6714	705-566-0148
	Task Controls, Inc.	Ontario	infotoronto@taskcontrols.com	416-291-3004	416-754-3481
	Tom Beggs Agencies Ltd.	Manitoba/NW Ontario	tba@mts.net	204-953-1900	204-774-6915
	Ventes Techniques Nimatec	Quebec	nimatec@nimatec.com	450-691-9427	450-691-4949